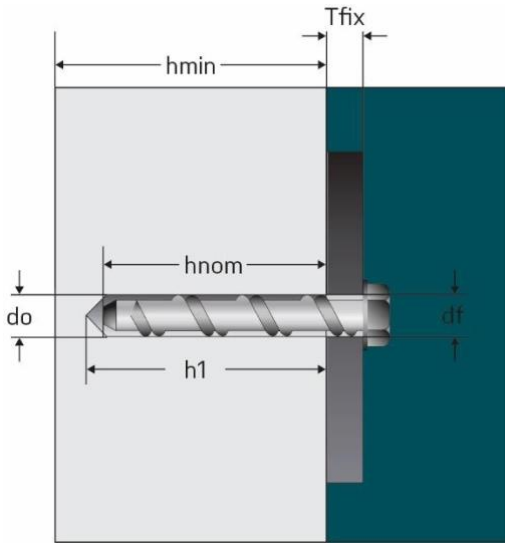


# MASONMATE® Technical Data Sheet

## Serbolt



Tfix = Fixing thickness  
 do = Drill hole diameter  
 L = Screw Length  
 h1 = Drill hole depth  
 hmin = Concrete thickness  
 hnom = Minimum embedment depth  
 df = Hole diameter on the fixing element  
 Tinst = Installation torque

### Suitable Applications:

- Concrete
- Solid stone

## Hex Head

Size doxL	Thread diameter	Tfix (mm)	h1 (mm)	hnom (mm)	df (mm)	hmin (mm)	Tinst (Nm)	Wrench size	code
M6x50	8	20	40	30	10	100	25	10	0855M490050
M6x100		70							0855M490100
M8x60	10	20	50	40	12	120	40	13	0855M540060
M8x75		35							0855M540075
M8x100		60							0855M540100
M8x150		110							0855M540150
M10x60	12	10	60	50	14	130	60	17	0855M560060
M10x75		25							0855M560075
M10x100		50							0855M560100
M10x130		80							0855M560130
M10x150		100							0855M560150
M12x75	14	15	70	60	16	140	80	19	0855M580075
M12x100		40							0855M580100
M12x130		70							0855M580130
M12x150		90							0855M580150
M12x200		140							0855M580200
M14x100	16	30	80	70	18	170	90	22	0855M600100
M14x130		60							0855M600130
M14x150		80							0855M600150
M16x100	18	20	90	80	20	190	100	24	0855M620100
M16x150		70							0855M620150
M16x200		120							0855M620200

# MASONMATE® Technical Data Sheet

## Serbolt

### Hex flanged head & Countersunk head

Type of head	Size doxL	Thread diameter	Tfix (mm)	h1 (mm)	hnom (mm)	df (mm)	hmin (mm)	Tinst (Nm)	Wrench size/Driver bit	code
Hex Flanged	M6X30	8	5	35	25	10	100	25	10	0856M490030
	M6x50		20	40	30					0856M490050
	M6x75		45							0856M490075
	M6x100		70							0856M490100
CSK	M6x50	8	20	40	30	10	100	25	T30	0857M490050
	M6x75		45							0857M490075
	M6x100		70							0857M490100

### Performance data (C20/25 uncracked concrete)

	M6	M8	M10	M12	M14	M16
hnom (mm)	30	40	50	60	70	80
Ccr,N (mm)	45	60	75	90	115	130
Scr,N (mm)	90	120	150	180	210	240
Nrec (kN)	1.95	3.6	4.7	6.6	9.5	13.5
Vrec (kN)	4.3	6.3	11.5	14.9	19.5	22.5

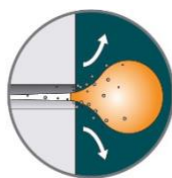
hnom = Minimum embedment depth  
Nrec = Recommended Tensile Load

Ccr,N = Critical Edge Distance  
Vrec = Recommended Shear Load

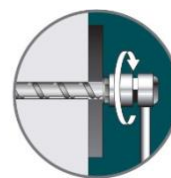
Scr,N = Critical Spacing



Drill your hole to the correct diameter...



...clear any debris...



...tighten to recommended tightening torque.

Due to the variable nature of the substrates this data is provided for guidance only and performance is subject to the correct installation of the product. The information provided is based on the principles, formulae and safety factors set out in the installation instructions and data sheets that are believed to be correct at the time of writing.

The data and values are based on the respective average values obtained from tests under laboratory or other controlled conditions. It is the user's responsibility to use the data given in the light of conditions on site and taking into account the intended use of the products concerned. The user should check that the listed prerequisites and criteria conform with the conditions actually existing on the site. Whilst we can give general guidance and advice, the nature of the products means that the ultimate responsibility for selecting the right product for a particular application must lie with the customer.