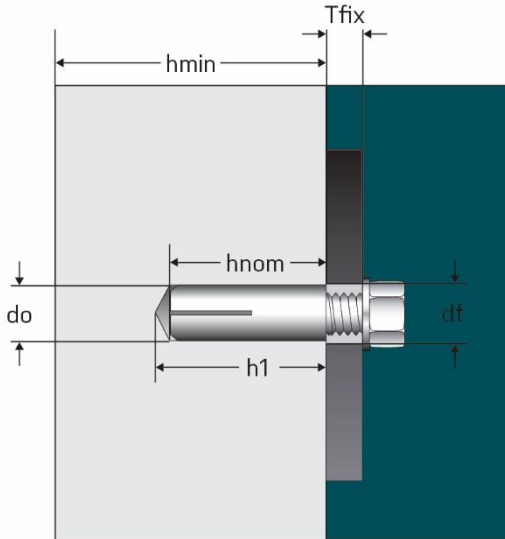


# MASONMATE® Technical Data Sheet

## Drop In Wedge Anchors

### Drop In Wedge Anchor

Zinc & Clear CR3+ / Stainless Steel



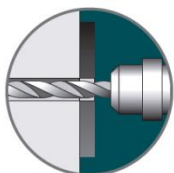
Tfix = Fixing thickness  
do = Drill hole diameter  
h1 = Drill hole depth  
hmin = Concrete thickness  
hnom = Minimum embedment depth  
df = Hole diameter on the fixing element  
Tinst = Installation torque

#### Suitable Applications:

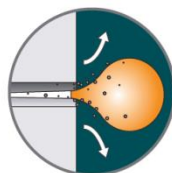
- Concrete

Size	Dx L (mm)	do	hnom	Tinst	Zinc & Clear CR3+ Code	Stainless Steel Code	Zinc & Clear CR3+ Lipped Code
M6	8x25	8	25	4	0843M49	0843M49SS	-
M8	10x30	10	30	8	0843M54	0843M54SS	0843M54L
M10	12x40	12	40	15	0843M56	0843M56SS	0843M56L
M12	16x50	16	50	35	0843M58	0843M58SS	0843M58L
M16	20x65	20	65	60	0843M62	0843M62SS	-
M20	25x80	25	80	120	0843M64	0843M64SS	-

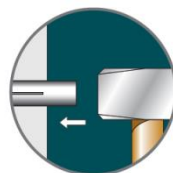
#### Installation:



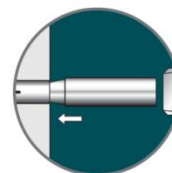
Drill your hole to the correct diameter...



...clear any debris...



...tap Wedge Anchor into hole...



...drive down plug using setting tool.

For correct installation on all occasions the proper Setting Tool must be used.

# MASONMATE® Technical Data Sheet

## Drop In Wedge Anchors

### Performance data (C20/25 uncracked concrete)

Zinc & Clear CR3+ / Stainless Steel

Size	h <sub>nom</sub> (mm)	d <sub>o</sub> (mm)	Edge Distance C <sub>cr,N</sub> (mm)	Spacing S <sub>cr,N</sub> (mm)	Minimum concrete thickness h <sub>min</sub> (mm)	Recommended Tensile Value N (kN)
M6	25	8	50	50	50	2.3
M8	30	10	60	60	60	3.3
M10	40	12	80	80	80	4.8
M12	50	16	100	100	100	7.1
M16	65	20	130	130	130	11.9
M20	80	25	160	160	160	14.4

The recommended loads derive from the mean ultimate loads and are inclusive of the safety factor  $\gamma=4$

### Setting Tool

L = anchor length

D = anchor diameter



For Size	D (mm)	L (mm)	Zinc & Clear CR3+ Code
M6	14.08 – 16.08	4.57 – 4.7	0843M49SET
M8	17 – 19.50	6 – 6.85	0843M54SET
M10	24 – 27	7.35 – 8.35	0843M56SET
M12	28.5 – 31	9.17 – 10	0843M58SET
M16	34.12 – 36.52	12.7 – 13.6	0843M62SET
M20	24.4 – 25.4	15.2 – 16.2	0843M64SET

Due to the variable nature of the substrates this data is provided for guidance only and performance is subject to the correct installation of the product. The information provided is based on the principles, formulae and safety factors set out in the installation instructions and data sheets that are believed to be correct at the time of writing.

The data and values are based on the respective average values obtained from tests under laboratory or other controlled conditions. It is the user's responsibility to use the data given in the light of conditions on site and taking into account the intended use of the products concerned. The user should check that the listed prerequisites and criteria conform with the conditions actually existing on the site. Whilst we can give general guidance and advice, the nature of the products means that the ultimate responsibility for selecting the right product for a particular application must lie with the customer.