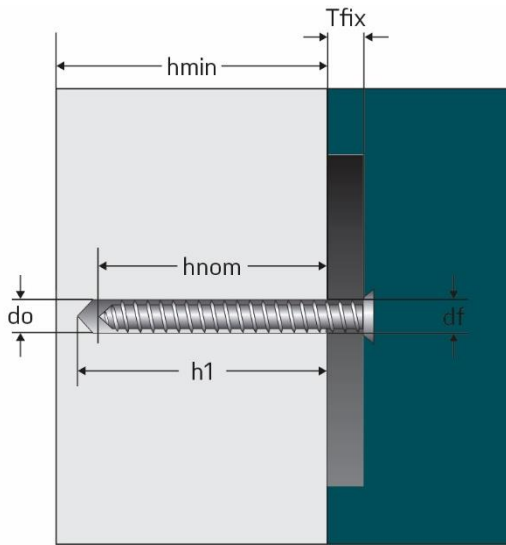


# MASONMATE® Technical Data Sheet

## Concrete screw - FX3

### FX3 - ZINC CLEAR CR3+

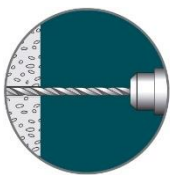


Tfix = Fixing thickness  
do = Drill hole diameter  
h1 = Drill hole depth  
hmin = Concrete thickness  
hnom = Minimum embedment depth  
df = Hole diameter on the fixing element  
Tinst = Installation torque

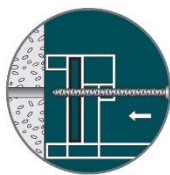
#### Suitable Applications:

- Concrete
- Solid stone

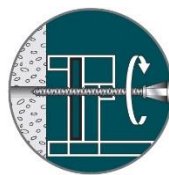
Size ØxL	do (mm)	Tfix (mm)	h1 (mm)	hnom (mm)	hmin (mm)	df (mm)	Nrec (kN)	Vrec (kN)	code
7.5X50	6	10	50	40	100	8	2	2.5	0869T7550
7.5X60		20							0869T7560
7.5X90		50							0869T7590
7.5X102		62							0869T75102
7.5X120		80							0869T75120
7.5X150		110							0869T75150
7.5X180		140							0869T75180



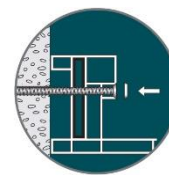
Drill your hole to the correct diameter...



...position the self tapping concrete screw...



...insert the screw and tighten using a torx bit...



...fit cover cap if required.

The recommended loads derive from the mean ultimate loads and are inclusive of the safety factor  $\gamma=4$

Due to the variable nature of the substrates this data is provided for guidance only and performance is subject to the correct installation of the product.

The information provided is based on the principles, formulae and safety factors set out in the installation instructions and data sheets that are believed to be correct at the time of writing.

The data and values are based on the respective average values obtained from tests under laboratory or other controlled conditions. It is the user's responsibility to use the data given in the light of conditions on site and taking into account the intended use of the products concerned. The user should check that the listed prerequisites and criteria conform with the conditions actually existing on the site. Whilst we can give general guidance and advice, the nature of the products means that the ultimate responsibility for selecting the right product for a particular application must lie with the customer.